



NTEP CC 97-074

BridgeMont Heavy Duty, BMS-HD Series Steel Deck, Flat Top, Motor Truck Scale

Legal-for-Trade CC 97-074 Class III L 10,000 Divisions

BMS-HD Series includes: 75K alloy steel Easi-Post Weigh Bars[®] with stainless steel Easi-Post components (threaded cap, post, and lower cup), 50' interface cable, stainless steel junction boxes, platform ground wires with clamps, surge protection for Weigh Bars and junction box, and AC line protection for indicator. Interface cable and all Weigh Bar cable is stainless steel sheathed.

The BMS-HD series arrives at the installation site in pre-assembled modules. Final calibration of electronics must be done after the steel decks have been installed.

The BMS-HD Series truck scales have a concentrated load capacity (CLC) and dual tandem axle capacity (DTA) of 90,000 lb (45,000 kg). The "r" factor rating is 2.65 on all sizes.

The following is a listing of a standard BMS-HD sizes, but Avery Weigh-Tronix welcomes request for other lengths and widths, especially for replacement projects. In order to be classified as legal-for-trade, the platform width must be a minimum of 7.7 ft. and a maximum of 14 ft.

BMS-HD Series: 10-ft width, 14-in profile (*actual platform width 9' 10 1/2"*)

Part Number	Model	Capacity		Scale Length		Ship Weight		List Price
		lb	kg	ft	m	lb	kg	
<i>One Module:</i>								
AWT05-503595	BMS-HD 1010	90,000	45,000	10'-0"	3.0	4,717	2,139	\$14,670
AWT05-503596	BMS-HD 1210	90,000	45,000	12'-0"	3.7	5,280	2,395	\$15,665
AWT05-503597	BMS-HD 2010	90,000	45,000	20'-8"	6.3	7,745	3,513	\$19,255
AWT05-503598	BMS-HD 2410	90,000	45,000	24'-0"	7.3	8,686	3,940	\$21,105
AWT05-503599	BMS-HD 2610	90,000	45,000	25'-8"	7.8	9,157	4,153	\$22,360
<i>Two Modules:</i>								
AWT05-503600	BMS-HD 3010	180,000	90,000	29'-7 1/4"	9.0	11,362	5,154	\$26,580
AWT05-503601	BMS-HD 3510	180,000	90,000	34'-11 1/4"	10.6	12,865	5,836	\$27,915
AWT05-503602	BMS-HD 4010	180,000	90,000	40'-3 1/4"	12.3	14,381	6,523	\$31,300
AWT05-503603	BMS-HD 4710	180,000	90,000	46'-11 1/4"	14.3	16,261	7,376	\$32,855
AWT05-503604	BMS-HD 5010	180,000	90,000	50'-3 1/4"	15.3	17,200	7,802	\$35,800
<i>Three Modules:</i>								
AWT05-503605	BMS-HD 6010	270,000	135,000	59'-10 1/2"	18.3	21,036	9,542	\$40,155
AWT05-503606	BMS-HD 7010	270,000	135,000	69'-10 1/2"	21.3	23,855	10,820	\$43,045
AWT05-503607	BMS-HD 7510	270,000	135,000	74'-10 1/2"	22.7	25,264	11,460	\$46,175
<i>Four Modules:</i>								
AWT05-503608	BMS-HD 8010	270,000	135,000	79'-5 3/4"	24.2	27,672	12,552	\$51,880
AWT05-503609	BMS-HD 9310	270,000	135,000	92'-9 3/4"	28.3	31,429	14,256	\$57,820
AWT05-503610	BMS-HD 10010	270,000	135,000	99'-5 3/4"	30.3	33,308	15,108	\$62,525
<i>Five Modules:</i>								
AWT05-503611	BMS-HD 10010	270,000	135,000	99'-1"	30.2	34,337	15,575	\$65,615
AWT05-503612	BMS-HD 11610	270,000	135,000	115'-9"	35.3	39,033	17,705	\$67,970
AWT05-503613	BMS-HD 12410	270,000	135,000	124'-1"	37.8	41,382	18,771	\$72,050

BMS-HD Series: 11-ft width, 14-in profile (actual platform width is 11')

Part Number	Model	Capacity		Scale Length		Ship Weight		List Price
		lb	kg	ft	m	lb	kg	
<i>One Module:</i>								
AWT05-503614	BMS-HD 1011	90,000	45,000	10'-0"	3.0	5,016	2,275	\$14,960
AWT05-503615	BMS-HD 1211	90,000	45,000	12'-0"	3.7	5,616	2,547	\$15,980
AWT05-503616	BMS-HD 2011	90,000	45,000	20'-8"	6.3	8,239	3,737	\$19,625
AWT05-503617	BMS-HD 2411	90,000	45,000	24'-0"	7.3	9,240	4,191	\$21,515
AWT05-503618	BMS-HD 2611	90,000	45,000	25'-8"	7.8	9,741	4,418	\$22,795
<i>Two Modules:</i>								
AWT05-503619	BMS-HD 3011	180,000	90,000	29'-7 1/4"	9.0	12,099	5,488	\$27,110
AWT05-503620	BMS-HD 3511	180,000	90,000	34'-11 1/4"	10.6	13,699	6,214	\$28,475
AWT05-503621	BMS-HD 4011	180,000	90,000	40'-3 1/4"	12.3	15,311	6,945	\$31,920
AWT05-503622	BMS-HD 4711	180,000	90,000	46'-11 1/4"	14.3	17,312	7,853	\$33,510
AWT05-503623	BMS-HD 5011	180,000	90,000	50'-3 1/4"	15.3	18,312	8,306	\$36,515
<i>Three Modules:</i>								
AWT05-503624	BMS-HD 6011	270,000	135,000	59'-10 1/2"	18.3	22,403	10,162	\$40,960
AWT05-503625	BMS-HD 7011	270,000	135,000	69'-10 1/2"	21.3	25,403	11,523	\$43,905
AWT05-503626	BMS-HD 7511	270,000	135,000	74'-10 1/2"	22.7	26,903	12,203	\$47,090
<i>Four Modules:</i>								
AWT05-503627	BMS-HD 8011	270,000	135,000	79'-5 3/4"	24.2	29,476	13,370	\$52,940
AWT05-503628	BMS-HD 9311	270,000	135,000	92'-9 3/4"	28.3	33,475	15,184	\$58,970
AWT05-503629	BMS-HD 10011	270,000	135,000	99'-5 3/4"	30.3	35,475	16,091	\$63,785
<i>Five Modules:</i>								
AWT05-503630	BMS-HD 10011	270,000	135,000	99'-1"	30.5	36,578	16,592	\$66,925
AWT05-503631	BMS-HD 11611	270,000	135,000	115'-9"	35.3	41,577	18,859	\$69,310
AWT05-503632	BMS-HD 12411	270,000	135,000	124'-1"	37.8	44,076	19,993	\$73,495

BMS-HD Series: 12-ft width, 14-in profile (actual platform width is 12')

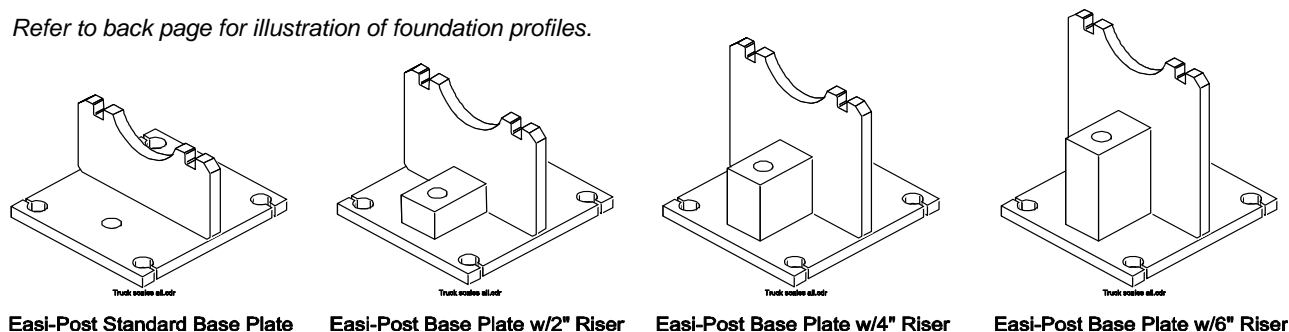
Part Number	Model	Capacity		Scale Length		Ship Weight		List Price
		lb	kg	ft	m	lb	kg	
<i>One Module:</i>								
AWT05-503633	BMS-HD 1012	90,000	45,000	10'-0"	3.0	5,361	2,432	\$16,390
AWT05-503634	BMS-HD 1212	90,000	45,000	12'-0"	3.7	6,011	2,727	\$17,585
AWT05-503635	BMS-HD 2012	90,000	45,000	20'-8"	6.3	8,858	4,018	\$22,580
AWT05-503636	BMS-HD 2412	90,000	45,000	24'-0"	7.3	9,944	4,510	\$24,950
AWT05-503637	BMS-HD 2612	90,000	45,000	25'-8"	7.8	10,487	4,757	\$26,470
<i>Two Modules:</i>								
AWT05-503638	BMS-HD 3012	180,000	90,000	29'-7 1/4"	9.0	13,010	5,902	\$30,015
AWT05-503639	BMS-HD 3512	180,000	90,000	34'-11 1/4"	10.6	14,746	6,689	\$33,200
AWT05-503640	BMS-HD 4012	180,000	90,000	40'-3 1/4"	12.3	16,497	7,548	\$36,745
AWT05-503641	BMS-HD 4712	180,000	90,000	46'-11 1/4"	14.3	18,666	8,467	\$38,915
AWT05-503642	BMS-HD 5012	180,000	90,000	50'-3 1/4"	15.3	19,751	8,959	\$42,865
<i>Three Modules:</i>								
AWT05-503643	BMS-HD 6012	270,000	135,000	59'-10 1/2"	18.3	24,155	10,957	\$48,210
AWT05-503644	BMS-HD 7012	270,000	135,000	69'-10 1/2"	21.3	27,408	12,432	\$53,550
AWT05-503645	BMS-HD 7512	270,000	135,000	74'-10 1/2"	22.7	29,035	13,170	\$56,980
<i>Four Modules:</i>								
AWT05-503646	BMS-HD 8012	270,000	135,000	79'-5 3/4"	24.2	31,794	14,422	\$60,875
AWT05-503647	BMS-HD 9312	270,000	135,000	92'-9 3/4"	28.3	36,131	16,389	\$67,460
AWT05-503648	BMS-HD 10012	270,000	135,000	99'-5 3/4"	30.3	38,299	17,372	\$72,265
<i>Five Modules:</i>								
AWT05-503649	BMS-HD 10012	270,000	135,000	99'-1"	30.5	39,463	17,900	\$74,960
AWT05-503650	BMS-HD 11612	270,000	135,000	115'-9"	35.3	44,893	20,359	\$77,840
AWT05-503651	BMS-HD 12412	270,000	135,000	124'-1"	37.8	47,593	21,588	\$82,015

Options	lb	kg	List Price
Blue Blanket Warranty (AWT97-501690)			\$400 NET
For Multi-Platform systems, add individual module prices as required			consult factory
Special lengths and widths			consult factory
Special colors			consult factory
3/8" top deck plate			consult factory
Dump through modules			consult factory
50' SS sheathed interface cable			Included
Additional stainless steal sheathed interface cable (P/N 48548-0024)			\$3 ft
<i>(Non-sheathed 50' standard cable can be substituted at the same price. Additional non-sheathed cable \$2.00 /ft. — P/N 13761-0028).</i>			
Stainless Steel, 75K Easi-Post Weigh Bars			\$370 ea
Manhole ring and cover	300	136	\$680
Anchor bolt, nut & washer - (32 required per 70' scale) (P/N 48614-0015)			\$18 ea
Guide rail - Bolted, powder-painted yellow, 8" high single rail <i>(Guide rail option not suitable for shallow or deep pit foundations, never bolted on scales 12' wide or wider)</i>	18/ft	8/ft	\$50/ft of scale length
MSHA Guide rail - Bolted, powder-painted yellow, 24" high double rail <i>(Not bolted on at factory, will ship on pallet)</i>			\$105/ft of scale length
Guide post - 6' long, 6" diameter, Schedule 40 steel pipe, painted yellow (P/N 50656-0010)			\$305 ea
T-iron filler strips (10', 11' or 12' length) for gap between approach and scale end <i>(10 ft. p/n 50898-0018, 11 ft. p/n 50898-0026, 12 ft. p/n 50898-0034)</i>			\$155 ea
T-Belt, EPDM Rubber, 4 ½" X 10' (AWT20-508659)			\$105
T-Belt, EPDM Rubber, 4 ½" X 11' (AWT20-508660)			\$115
T-Belt, EPDM Rubber, 4 ½" X 12' (AWT20-508661)			\$125
1" Riser Plate, <i>(increases foundation "profile" by 1 inch)</i> (P/N 50806-0027)			\$80 ea

Refer to back page for illustration of foundation profiles.

Easi-Post base plate, standard 14" profile (P/N 56085-0018)	Included
Easi-Post base plate w/ 2" riser, (total of 16" profile) (P/N 56145-0016)	\$45 ea
Easi-Post base plate w/ 4" riser, (total of 18" profile) (P/N 56145-0024)	\$75 ea
Easi-Post base plate w/ 6" riser, (total of 20" profile) (P/N 56145-0032)	\$100 ea

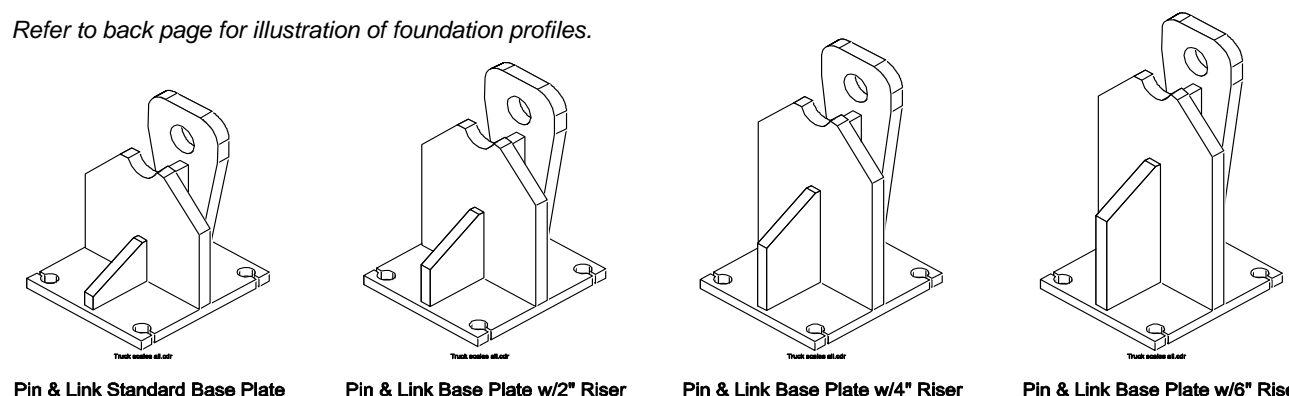
Refer to back page for illustration of foundation profiles.



Easi-Post Standard Base Plate Easi-Post Base Plate w/2" Riser Easi-Post Base Plate w/4" Riser Easi-Post Base Plate w/6" Riser

Pin & Link base plate, standard 14" profile (P/N 50807-0018)	\$140 ea
Pin & Link base plate, w/ 2" riser, (total of 16" profile) (P/N 50807-0034)	\$195 ea
Pin & Link base plate, w/ 4" riser, (total of 18" profile) (P/N 50807-0042)	\$250 ea
Pin & Link base plate, w/ 6" riser, (total of 20" profile) (P/N 50807-0059)	\$305 ea

Refer to back page for illustration of foundation profiles.



Pin & Link Standard Base Plate Pin & Link Base Plate w/2" Riser Pin & Link Base Plate w/4" Riser Pin & Link Base Plate w/6" Riser

Foundation Profile Illustrations

