



NTEP CC 97-074

BridgeMont Standard Duty, BMS-SD Series *(formerly BMS-75)*

Steel Deck, Flat Top, Motor Truck Scale

Legal-for-Trade CC 97-074 Class III L 10,000 Divisions

The BridgeMont Standard Duty is designed for above ground applications with moderate traffic and legal highway axle loads.

BMS-SD Series includes: 75K alloy steel Easi-Post Weigh Bars[®] with stainless steel Easi-Post components (threaded cap, post, and lower cup), 50' interface cable, stainless steel junction boxes, platform ground wires with clamps, surge protection for Weigh Bars and junction box, and AC line protection for indicator. Interface cable and all Weigh Bar cable is stainless steel sheathed.

The BMS-SD series arrives at the installation site in pre-assembled sections. Final calibration of electronics must be done after the steel decks have been installed.

The BMS-SD Series truck scales have a concentrated load capacity (CLC) and dual tandem axle capacity (DTA) of 70,000 lb (35,000 kg). The "r" factor rating is 2.06 on all sizes.

BMS-SD Series: 10-ft width, 14-in profile *(actual platform width 9' 10 1/2")*

Part Number	Model	Capacity		Scale Length		Ship Weight		List Price
		lb	kg	ft	m	lb	kg	
<i>One Module:</i>								
AWT05-503567	BMS-SD 1010	90,000	45,000	10'-0"	3.0	4,488	2,036	\$13,695
AWT05-503568	BMS-SD 1210	90,000	45,000	12'-0"	3.7	5,024	2,279	\$14,590
AWT05-503569	BMS-SD 2010	90,000	45,000	20'-8"	6.3	7,369	3,343	\$17,940
AWT05-503570	BMS-SD 2410	90,000	45,000	24'-0"	7.3	8,265	3,749	\$19,655
<i>Two Modules:</i>								
AWT05-503571	BMS-SD 3010	180,000	90,000	29'-7 1/4"	9.0	10,811	4,904	\$24,755
AWT05-503572	BMS-SD 3510	180,000	90,000	34'-11 1/4"	10.6	12,241	5,553	\$26,015
AWT05-503573	BMS-SD 4010	180,000	90,000	40'-3 1/4"	12.3	13,683	6,207	\$29,125
AWT05-503574	BMS-SD 4710	180,000	90,000	46'-11 1/4"	14.3	15,473	7,019	\$30,555
<i>Three Modules:</i>								
AWT05-503575	BMS-SD 6010	270,000	135,000	59' -10 1/2"	18.3	20,034	9,087	\$38,070
AWT05-503576	BMS-SD 7010	270,000	135,000	69' -10 1/2"	21.3	22,673	10,284	\$40,560
<i>Four Modules:</i>								
AWT05-503577	BMS-SD 8010	270,000	135,000	79'-5 3/4"	24.2	26,336	11,946	\$50,320
AWT05-503578	BMS-SD 9310	270,000	135,000	92'-9 3/4"	28.3	29,904	13,564	\$53,180
<i>Five Modules:</i>								
AWT05-503579	BMS-SD 10010	270,000	135,000	99'-1"	30.2	32,671	14,820	\$61,920
AWT05-503580	BMS-SD 11610	270,000	135,000	115'-9"	35.3	37,139	16,846	\$65,325

BMS-SD Series: 11-ft width, 14-in profile (actual platform width is 11')

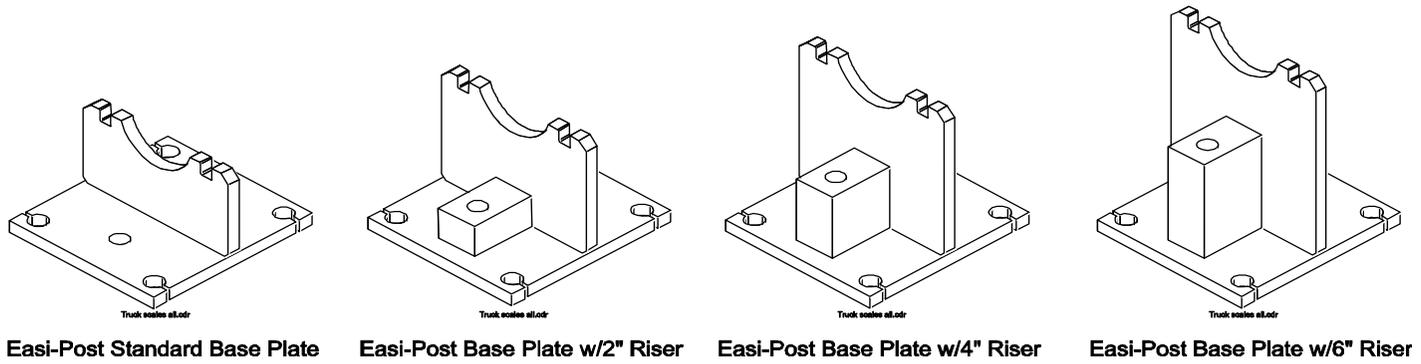
Part Number	Model	Capacity		Scale Length		Ship Weight		List Price
		lb	kg	ft	m	lb	kg	
<i>One Module:</i>								
AWT05-503581	BMS-SD 1011	90,000	45,000	10'-0"	3.0	4,793	2,174	\$13,975
AWT05-503582	BMS-SD 1211	90,000	45,000	12'-0"	3.7	5,366	2,434	\$14,895
AWT05-503583	BMS-SD 2011	90,000	45,000	20'-8"	6.3	7,871	3,570	\$18,435
AWT05-503584	BMS-SD 2411	90,000	45,000	24'-0"	7.3	8,827	4,004	\$20,045
<i>Two Modules:</i>								
AWT05-503585	BMS-SD 3011	180,000	90,000	29'-7 1/4"	9.0	11,546	5,237	\$25,250
AWT05-503586	BMS-SD 3511	180,000	90,000	34'-11 1/4"	10.6	13,073	5,930	\$26,905
AWT05-503587	BMS-SD 4011	180,000	90,000	40'-3 1/4"	12.3	14,613	6,628	\$29,695
AWT05-503588	BMS-SD 4711	180,000	90,000	46'-11 1/4"	14.3	16,524	7,495	\$31,155
<i>Three Modules:</i>								
AWT05-503589	BMS-SD 6011	270,000	135,000	59'-10 1/2"	18.3	21,405	9,709	\$38,825
AWT05-503590	BMS-SD 7011	270,000	135,000	69'-10 1/2"	21.3	24,221	10,987	\$41,365
<i>Four Modules:</i>								
AWT05-503591	BMS-SD 8011	270,000	135,000	79'-5 3/4"	24.2	28,140	12,764	\$51,325
AWT05-503592	BMS-SD 9311	270,000	135,000	92'-9 3/4"	28.3	31,937	14,487	\$55,635
<i>Five Modules:</i>								
AWT05-503593	BMS-SD 10011	270,000	135,000	99'-1"	30.2	34,893	15,827	\$63,160
AWT05-503594	BMS-SD 11611	270,000	135,000	115'-9"	35.3	39,664	17,992	\$66,635

Options	lb	kg	List Price
Blue Blanket Warranty (AWT97-501690)			\$400 NET
For Multi-Platform systems, add individual module prices as required			consult factory
Special lengths and widths			consult factory
Special colors			consult factory
Additional stainless steel sheathed interface cable (P/N 48548-0024)			\$3 ft
<i>(Non-sheathed 50' standard cable can be substituted at the same price.)</i>			
<i>Additional non-sheathed cable \$2.00 /ft. — P/N 13761-0028)</i>			
Stainless Steel, 75K Easi-Post Weigh Bars			\$370 ea
Anchor bolt, nut & washer - (32 required per 70' scale) (P/N 48614-0015)			\$18 ea
Guide rail - Bolted, powder-painted yellow, 8" high single rail	18/ft	8/ft	\$50/ft of scale length
<i>(Guide rail option not suitable for shallow or deep pit foundations, never bolted on scales 12' wide or wider)</i>			
Guide post - 6' long, 6" diameter, Schedule 40 steel pipe, painted yellow (P/N 50656-0010)			\$305 ea
T-iron filler strips (10', 11' or 12' length) for gap between approach and scale end			\$155 ea
<i>(10 ft. p/n 50898-0018, 11 ft. p/n 50898-0026, 12 ft. p/n 50898-0034)</i>			
T-Belt, EPDM Rubber, 4 1/2" X 10' (AWT20-508659)			\$105
T-Belt, EPDM Rubber, 4 1/2" X 11' (AWT20-508660)			\$115
T-Belt, EPDM Rubber, 4 1/2" X 12' (AWT20-508661)			\$125
1" Riser Plate, (increases foundation "profile" by 1 inch) (P/N 50806-0027)			\$80 ea

Refer to back page for illustration of foundation profiles.

	List Price
Easi-Post base plate, standard 14" profile (P/N 56085-0018)	Included
Easi-Post base plate w/ 2" riser, (total of 16" profile) (P/N 56145-0016)	\$45 ea
Easi-Post base plate w/ 4" riser, (total of 18" profile) (P/N 56145-0024)	\$75 ea
Easi-Post base plate w/ 6" riser, (total of 20" profile) (P/N 56145-0032)	\$100 ea

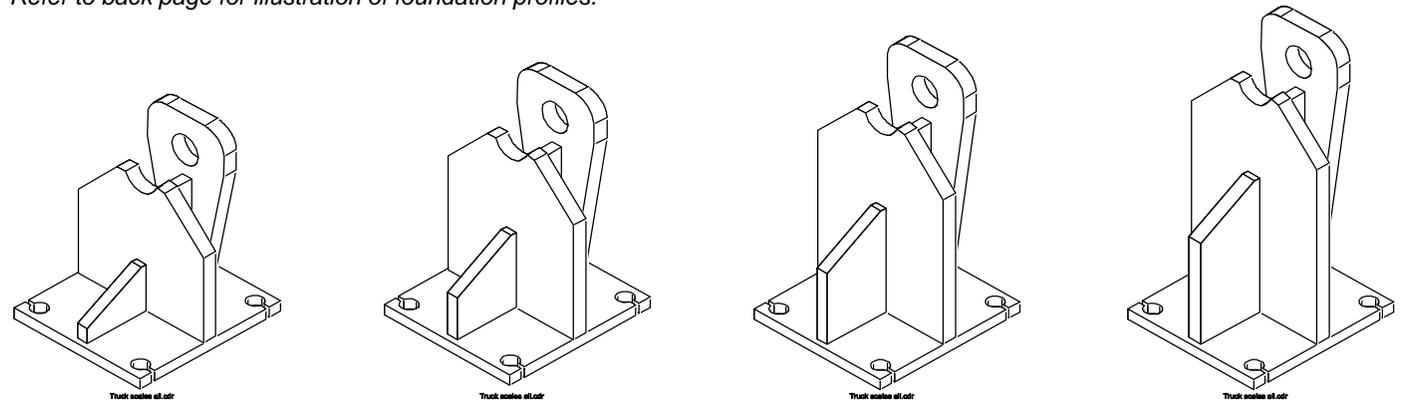
Refer to back page for illustration of foundation profiles.



Easi-Post Standard Base Plate Easi-Post Base Plate w/2" Riser Easi-Post Base Plate w/4" Riser Easi-Post Base Plate w/6" Riser

	List Price
Pin & Link base plate, standard 14" profile (P/N 50807-0018)	\$140 ea
Pin & Link base plate, w/ 2" riser, (total of 16" profile) (P/N 50807-0034)	\$195 ea
Pin & Link base plate, w/ 4" riser, (total of 18" profile) (P/N 50807-0042)	\$250 ea
Pin & Link base plate, w/ 6" riser, (total of 20" profile) (P/N 50807-0059)	\$305 ea

Refer to back page for illustration of foundation profiles.



Pin & Link Standard Base Plate Pin & Link Base Plate w/2" Riser Pin & Link Base Plate w/4" Riser Pin & Link Base Plate w/6" Riser

Foundation Profile Illustrations

